



CARABINER ARCHITECTURAL SUPPORT

18th Edition Amendment 2:2022 compliant.

Architectural carabiner support, manufactured from bright nickel-plated brass, with integral secure snap gate.

Ideal for:

- Shop displays
- Lighting
- Signage
- Acoustic islands

Designed to attach a wire suspension to a fixture or fitting with an available eye-let and ideal for installations that require regular maintenance.

AVAILABILITY

Product code: **ACGHSPR**

Safe working load (SWL): 15 kg.




FEATURES AND BENEFITS

- Allows for one single suspension point from the ceiling.
- Easy to actuate plunger for height adjustment.
- Snap gate system to prevent accidental release.
- Through bottom exit for main vertical wire support which allows for height adjustment at service level. (Note: Ensure fixture/application will accommodate exit wire).
- Can be supplied with a variety of ceiling fixings.
- Available in kit format with wire rope lengths from 1-3 metres.

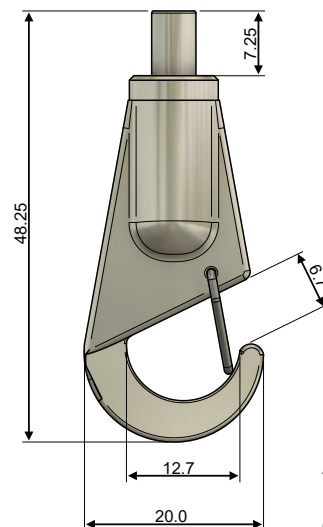
WIRE

Galvanised mild steel electro-galvanised wire rope, 1960 N/mm² grade, 7×7 IWRC construction, manufactured to BS EN 12385.

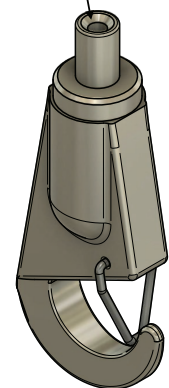
AVAILABLE END FIXING OPTIONS

Loop end to support from existing structures/ fixing points	M6 concrete hammer fixing (Drill 6 mm hole, minimum depth 35 mm)	Architectural base plate to fix to a base material with a desired screw fixing
		

DIMENSIONS



Designed for use with T-Wire rope



All dimensions in mm
Manufactured from brass with a bright nickel plating finish.